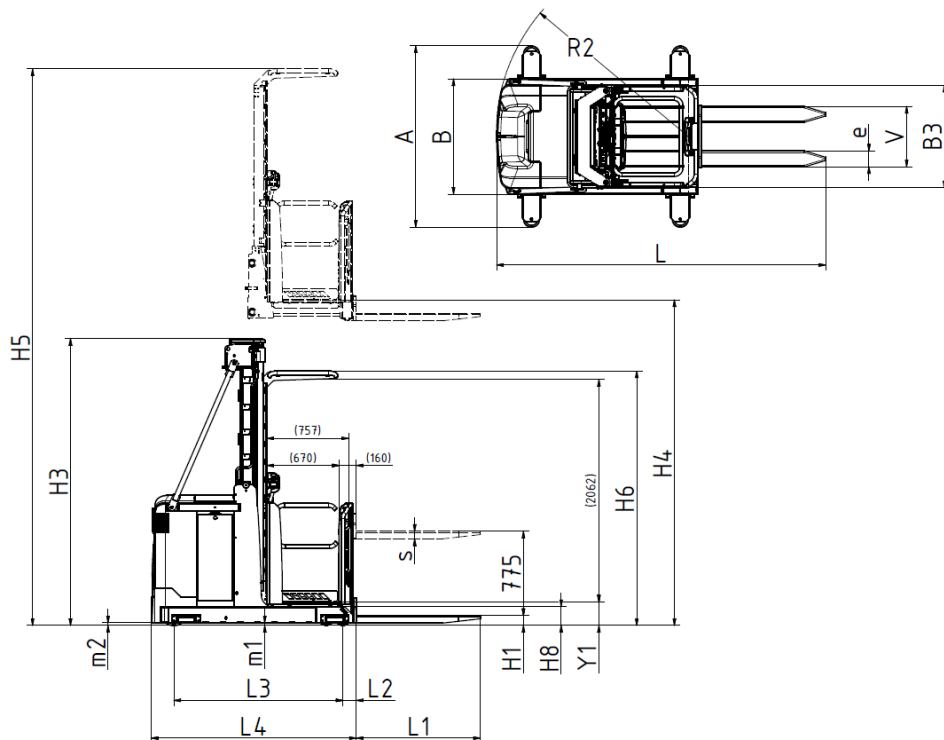


EPH 125 DTFV

1250 kg high level order picker.
 Providing picking heights up to 12.100 mm. Combining great performance with high levels of safety.



Mast Type	Standard lift height H4	Min mast height H3	Max mast height H5
Telescopic			
Double telescopic	6000	2770	8160
	6750	3020	8910
	7500	3270	9660
	8250	3520	10410
	9000	3770	11160
	9750	4020	11910
	10500	4270	12660

Lift capacities	0	Specification			EPH 125 DTFV
	0a	Straddle leg position			Narrow
	1	Lift capacity	Q	kg	1250
	1a	Load centre	D	mm	400-600
	2	Lift height	H4	mm	6000-10500
	2a	Mast height	H3/H5	mm	H3=H4/3+770, H5=H4+2160
	2b	Transport free lift	H2 TV mast	mm	n/a
	2c	Full free lift	H2 DT mast	mm	n/a
	2d	Straddle lift		mm	n/a
	3	Mast tilt. Forward - backward			n/a
	3a	Tilting forks. Forward - backward			n/a
	4	Lift speed. Without load - with load		m/s	0,44/0,36
	4a	Lift time. Without load - with load		s	
	4b	Lift speed, ergolift. Without load - with load		m/s	
	Drive capacities	5	Lowering speed. Without load - with load		m/s
5a		Lowering time. Without load - with load		s	
6		Drive speed. Without load - with load		km/h	12/12
6a		Drive speed. Without load - with load		m/s	
		Acceleration 0-10 m			
		Without load - with load		s	5,2/5,5
8		Gradient, without load / with load	max	%	6,2
10		Turning radius	R2	mm	2020
11		Smallest practical stacking aisle incl 200 mm play			
		Load length 1200 mm	Ast	mm	
		Load length 1000 mm	Ast	mm	
		Load length 800 mm	Ast	mm	
		Aisle width requirement according to BITA GN9 UK market only	A1	mm	
			A2	mm	
			A3	mm	
	Smallest practical stacking aisle with pallet LL 1200 with the platform folded up/folded down	Min	mm		
11a	Intersecting aisle width. Load length 1200 mm	Min	mm		
11c	Max load length	LL	mm		
11d	Max load width	LB	mm		
Truck measurements	13	Height of overhead guard	H6	mm	2356
	13a	Height of driver seat	H7	mm	215-H4
	13b	Step-in height	Y1	mm	215-H4
	13c	Floor height		mm	6000-10500
	13d	Width of open gate		mm	
	14	Truck length	L	mm	3290
	15	Truck width	B	mm	1170, 1350
	15a	Width over guide wheels	A	mm	1348-1814
	15b	Width over stabilisers	S	mm	n/a
	15c	Platform length		mm	
	15d	Platform width	B3	mm	1150, 1300, 1500
	15e	Height of platform gates		mm	
	16	Fork length	L1	mm	1150
	17	Width over forks	V max/min	mm	450-800
	17a	Width between forks		mm	
	18	Reach length	U	mm	n/a
	19	Distance from back plate to retracted fork heel	L4 T-mast	mm	
		Distance from back plate to retracted fork heel	L4 DT-mast	mm	2139
	20	Fork arm, width - thickness	B1	mm	147/70
	20a	Fork height, lowered, max	H1	mm	90
	21	Straddle height	H8	mm	175
	22	Width between straddles	B2	mm	n/a
	22a	Width over straddles		mm	n/a
	23	Distance between front axle and retracted fork heel	L2	mm	126
	23a	Distance between front axle and centre of attachment	L2	mm	
	23b	Distance between front axle and heel of extended fork	X1	mm	
24	Axle distance	L3	mm	1760	
25	Wheel track, front rear (centre lines wheels)		mm	1006/1186	
26	Ground clearance at half axle distance		mm	25	
Weights	27	Total weight with-without battery.		kg	2720 kg + 97 x H4 (m) Min batt.
	28	Max axle pressure, fork side, without/ with classified load		kg	1590/3450 Min batt.
	29	Max axle load, drive side, without/with classified load		kg	2220/1610 Min batt.
	30	Max wheel point loading, without/with classified load		MPa	4,4/5,0
Motors	39	Battery capacity		kWh/Ah	Min 500, Max 620
	39a	Battery voltage		V	48
	41	Drive motor		kW	5,9
	42	Speed regulation			AC traction
	43	Lift motor. Output/Interm. conn.time		kW-%/min	11
43a	Hydraulic pressure		MPa		
Steering/brake system	44	Wheel type, drive wheel/others			Vulcollan
	44a	Number of wheels, drive/castor - load wheels			1x/8
	45	Wheel dimensions			
	45a	Load wheels - diameter x width		mm	150x55
	45b	Drive wheel - diameter x width		mm	355x155
	45c	Castor wheels - diameter x width		mm	n/a
	46	Steering			EI.power steering
47	Service brake - Type-acting on			Electric	
48	Parking brake - Type-acting on.			Electric	

* Varies according to battery size

All rights reserved to change above specification