

Engine Powered Forklift Truck



Diesel forklift
Model:
FD25/30/35

Gasoline forklift
Model:
FG25/30/35



CE Conforms to EN 1726-1:1999, EN1175-2:1998 Machinery Directive 2006/42/EC
 Conforms to EN 12895:2000 Electromagnetic compatibility Directive 2004/108/EC

Model		FD25/FG25		FD30/FG30		FD35/FG35	
		Diesel	Gasoline	Diesel	Gasoline	Diesel	Gasoline
Power							
Operation type		seat		seat		seat	
Capacity/rated load	Q(kg)	2500		3000		3500	
Load centre distance	c(mm)	500		500		500	
Lift height	h ₂ (mm)	3000-6000		3000-6000		3000-6000	
Load distance, centre of drive axle to fork	x(mm)	485		485		485	
Wheelbase	Y(mm)	1700		1700		1700	
Service weight	kg	3980		4350		4457	
Axle loading, laden front/rear	kg	5702/778		6468/882		7002/955	
Axle loading, unladen front/rear	kg	1592/2300		1740/2610		1703/2674	
Tyres type		Pneumatic /solid		Pneumatic /solid		Pneumatic /solid	
Tyre size, front	mm	Φ676x190/Φ657x172		Φ710x220/Φ695x218		Φ710x220/Φ695x218	
Tyre size, rear	mm	Φ540x160/Φ527x150		Φ590x175/Φ577x162		Φ590x175/Φ577x162	
Wheels, number front rear(x=driven wheels)		2x2 / 4x2		2x2 / 4x2		2x2 / 4x2	
Tread, front	b ₁₀ (mm)	970		1000		1000	
Tread, rear	b ₁₁ (mm)	970		970		970	
Tilt of mast/fork carriage forward/backward	Grad	6° ~12°		6° ~12°		6° ~12°	
Height, mast lowered	h ₁ (mm)	2040-2654		2070-2684		2070-2684	
Free lift	h ₂ (mm)	0		0		0	
Height, mast extended	h ₃ (mm)	4067-7067		4250-7250		4250-7250	
Height of overhead guard(cabin)	h ₄ (mm)	2060		2090		2090	
Seat height / stand height	h ₅ (mm)	1052		1064		1064	
Overall length	l ₁ (mm)	3650		3750		3860	
Length to face of forks	l ₂ (mm)	2580		2680		2790	
Overall width	b ₁ (mm)	1150		1205		1225	
Fork dimensions	s/e/l(mm)	40/130/1070		45/130/1070		45/140/1070	
Fork carriage DIN 15173, class/type A, B		2A		3A		3A	
Fork-carriage width	b ₂ (mm)	1160		1200		1200	
Ground clearance, laden, below mast	m ₁ (mm)	125		135		135	
Ground clearance, centre of wheelbase	m ₂ (mm)	135		150		150	
Aisle width for pallets 1000x1200 crossways	A ₁ (mm)	3790		3950		4000	
Aisle width for pallets 800x1200 lengthways	A ₂ (mm)	3590		3750		3800	
Turning radius	W ₁ (mm)	2190		2350		2400	
Internal turning radius	b ₁₂ (mm)	875		902		902	
Travel speed, laden/unladen	Km/h	0~18		0~20		0~20	
Lift speed, laden/unladen	m/s	460		450		400	
Lowering speed, laden/unladen	m/s	<600		<600		<600	
Max. drawbar pull, laden/unladen	N	15120		17120		21600	
Max. gradeability, laden/unladen	%	20/27		20/27		20/27	
Acceleration time, laden/unladen	s	3/4		2/3		4/5	
Engine manufacturer / type		490BPG/C240/4TNE92 K21/K25/491		490BPG/C240/4JG2/4TNE92/4TNE98 K25/491		490BPG/498BPG/4JG2/4TNE98 K25/491	
Engine power acc. to ISO 1585	Kw	37/34.3/34.7		31/37.4/41		37/34.3/44.2/34.7/44.3	
Rated speed	R/Min	2650/2500/2450		2300/2300/2500		2650/2500/2450/2300/2500	
Type of drive control		mechanical/hydraulic		mechanical/hydraulic		mechanical/hydraulic	
Operating pressure for attachments	Mpa	16.5		16.5		16.5	
Sound level at the driver's ear acc.to DIN 12053	dB(A)	<82		<82		<82	

Remark: The data based on the lifting height 3000mm; Lifting height from 3000mm to 6000mm are available.



Wide view mast with best visibility.



Engine cover with gas-filled cylinders and sound absorbing material.



Cowl mounted hydraulic lever offers large operation space.



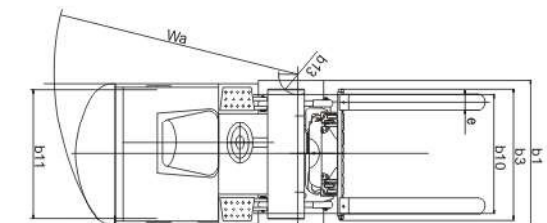
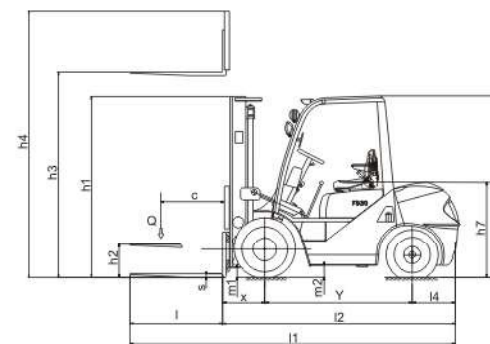
Electric F/R control lever with natural starting system.



Low height access step with wide non slip plate for easy entry and exit.



The optional of semi or full suspension seat with safety belt and arm rest.



Engine selection :

- Chinese engine : 490BPG , C490BPG , A498BTI
- ISUZU engine : C240PKJ-20 , C240PKJ-3 , 4JG2
- YANMAR engine : 4TNE92 , 4TNE98

