



EPT20-RASS EPT20-RASC Electric Pallet Truck 2.0t

Dual Monitoring of Traveling and Steering Motors
Meets Highest Grade International Safety Standard;
Human-friendly Design Offers Perfect Combination of Performance Amenity & Safety;
As the Best Choice for High Efficiency & Intensity Material Handling,
Top Driving Speed of 20RASS Reaches 12KM/H.

EP EQUIPMENT CO.,LTD
www.ep-ep.com

FEATURE

Performance

- The innovative AC system offers strong power, accurate control, excellent performance.
- High strength vertical gearbox, longer working life.
- Low noisy low fault Hydraulic station, multilayer detection and test cylinder and pipeline ensure the high reliable of hydraulic system.
- High Reliable AMP connector and electric parts. Reliable protect and fixation for all electric wires and cables, reduce the fault of electric parts greatly.
- Once shaping fork, box type frame, Adjustable long connecting rod, ensure the whole truck frame no deformation after long time working.
- High speed(12km/h unladen), High efficiency of carrying



Safety

- Half surrounded operator position design, let travel safer.
- Side lolling operation way, expand the view when travel forward and backward
- Pedal type safety switch, avoid wrong operation of travel.
- Automatic braking and reverse current braking when running switch off, more safety when driving.
- The emergency connector can be knobbed up to cut off all the power to avoid the sudden accident when the truck is out of control.
- The function of skid proof brake avoid the truck skidding down when truck is out of control or travel on grade.
- Two line monitor power steering, the top safety design.(electric steering).

Operation

- With the new designed ergonomically handle, all buttons are controlled convenient & comfortable.
- With backrest cushion and support seat, the operations will be more comfortable. spacious operation room and shock absorber pedal will increase the comfort greatly.
- The unique suspension driving floating system (DFA) design , ensures the stability in high speed running.
- Sideway battery design for easy battery replacement, suitable for continuous long working.
- Electric power steering, smooth & comfortable (EPS).

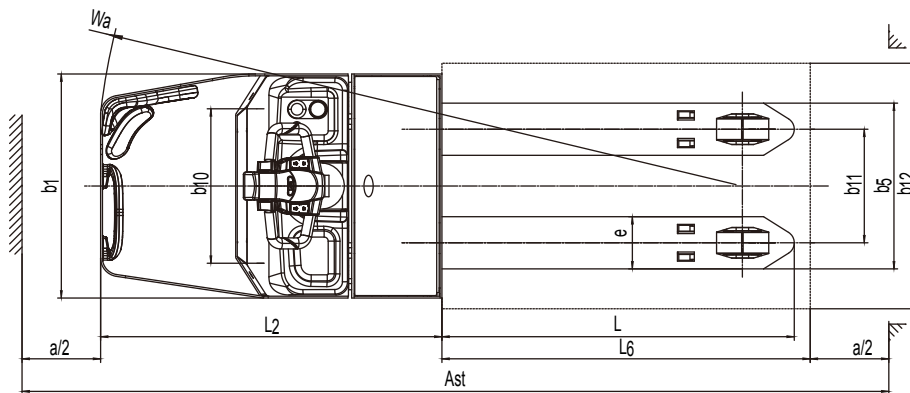
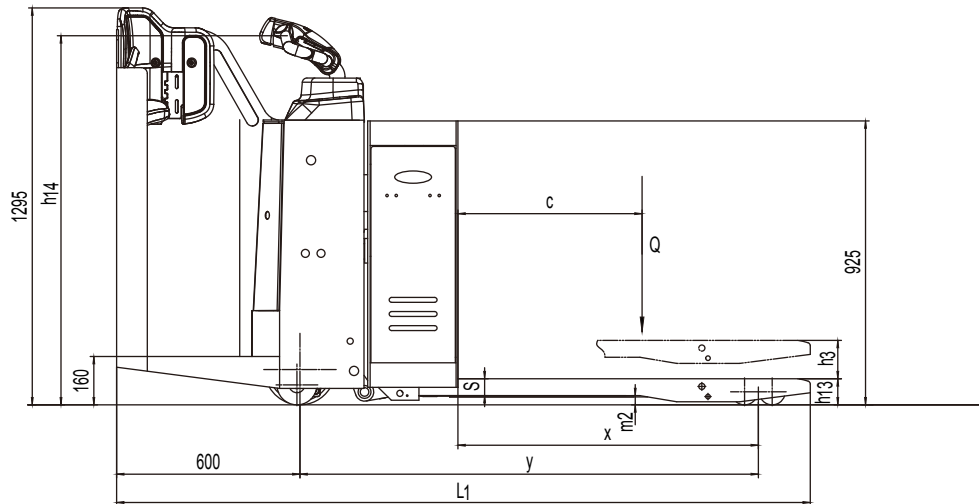
Maintenance

- AC traction motor, maintenance free.
- Hour meter and battery indicator will reminder the operator to recharge the battery.
- Dismantle the back cover easily only by loosening four bolts, then access to all key components for inspection, maintenance and replacement.
- Motor vertically mounted makes the inspection & service of motor and brake more convenient than that of motor horizontally mounted.
- Self-diagnostics system shows error code through handset which allow easy trouble-shooting
- Automatic protection when the voltages of battery is low.

Electric Pallet Truck 2.0t EPT20-RASS/EPT20-RASC

Distinguishing mark					
1.1	Manufacturer			EP	EP
1.2	Model designation			EPT20-RASS	EPT20-RASC
1.3	Drive unit			Electrics	Electrics
1.4	Operator type			standing	standing
1.5	rated capacity	Q	kg	2000	2000
1.6	Load center distance	c	mm	600	600
1.8	Load distance	x	mm	958	958
1.9	Wheelbase	y	mm	1465	1465
Weight					
2.1	Service weight (include battery)		kg	810	750
2.2	Axle loading, laden driving side/loading side		kg	1166 / 1644	1126 / 1624
2.3	Axle loading, unladen driving side/loading side		kg	630 / 180	590 / 160
Types,Chassis					
3.1	Tyre type driving wheels/loading wheels			polyurethane / polyurethane	polyurethane / polyurethane
3.2	Tyre size, driving wheels (diameter×width)		mm	Φ230x75	Φ230x75
3.3	Tyre size, loading wheels (diameter×width)		mm	Φ85x70	Φ85x70
3.4	Tyre size, caster wheels (diameter×width)		mm	Φ130x60	Φ130x60
3.5	Wheels, number driving , caster/loading (x=drive wheels)		mm	1 x +2 / 4	1 x +2 / 4
3.6	Track width, front,driving side	b ₁₀	mm	510	510
3.7	Track width,rear,loading side	b ₁₁	mm	370 / 430 / 515	370 / 430 / 515
Dimensions					
4.4	Lift height	h ₃	mm	125	125
4.9	Height drawbar in driving position min./max.	h ₁₄	mm	1200	1200
4.15	Lowered height	h ₁₃	mm	85	85
4.19	Overall length	l ₁	mm	2255	2255
4.20	Length to face of forks	l ₂	mm	1105	1105
4.21	Overall width	b ₁ / b ₂	mm	730	730
4.22	Fork dimensions	s/ e/ l	mm	55 x 170 x 1150	55 x 170 x 1150
4.25	Distance between fork-arms	b ₅	mm	540 / 600 / 685	540 / 600 / 685
4.32	Ground clearance, center of wheelbase	m ₂	mm	30	30
4.34.1	Aisle width for pallets 1000 × 1200 crossways	Ast	mm	2317	2317
4.34.2	Aisle width for pallets 800 × 1200 lengthways	Ast	mm	2517	2517
4.35	Turning radius	Wa	mm	2075	2075
Performance data					
5.1	Travel speed, laden/ unladen	km/ h	km/h	9.0 / 12.0	5.5 / 6
5.2	Lifting speed, laden/ unladen		m/ s	0.051 / 0.060	0.051 / 0.060
5.3	Lowering speed, laden/ unladen		m/ s	0.032 / 0.039	0.032 / 0.039
5.8	Max. gradeability, laden/unladen			8 / 16	8 / 16
5.10	Service brake type			Electromagnetic	Electromagnetic
Electric-engine					
6.1	Drive motor rating S2 60 min		kW	2.5	1.5
6.2	Lift motor rating at S3 15%		kW	0.84	0.84
6.3	The maximum allowed size battery		mm	652 x 270 x 680	652 x 270 x 680
6.4	Battery voltage/nominal capacity K5		V/Ah	24 / 280	24 / 210
6.5	Battery weight		kg	250	190
Addition data					
8.1	Type of drive control			AC	AC
10.5	Steering type			Electronic	Electronic
10.7	Sound pressure level at the driver's ear			74	74

- 1.The parameters in the table are the standard model, for more information please contact us.
- 2.The parameters are subject to change without notice.



Option

Options	EPT20-20RASC	EPT20-20RASS
Fork length	• 850/1000/1300/1450/1600/1800/2000/2400mm	• 850/1000/1300/1450/1600/1800/2000/2400mm
Driving wheel	• PU	—
lateral battery change	• 280Ah/360Ah	• 360Ah
Cold storage	•	•
battery indicator without hour meter	•	•
water auto-filling system	•	•
Special backrest	• 1220mm (48in)/1520mm (60in)	• 1220mm (48in)/1520mm (60in)