

Electric Tow Tractor



Model:
QDD series

Capacity: 2 Ton ~ 10 Ton

Advantages:

SAFETY AND STABILITY:

- Multi-function display: battery status, hour meter, error code etc.
- The application of hand brake and hydraulic brake improve the safety level.
- Stepless speed control.
- Equipped with adjustable steering wheel, adapted to different operators.
- Advanced link system, oriented and fixed bracket.
- Low noise.

STRUCTURAL:

- "H" type axle design gives a good stability.
- Batteries located in the lowest part of frame, low center of gravity ensures excellent stability.
- Automatic reset make operation easier.

SERVICEABILITY:

- CANbus technology reduces wiring complexity and increase reliability.
- Easy-open back cover to open for maintenance and replacement of parts such as drive wheel, oil tube, accelerator, controller etc.

OPTION:

- Cabin
- Double front lamp
- AC power system
- QDD20, QDD30 side way battery
- EPS system



Back cover easy to open for service.



Large capacity batteries located in the lowest part of frame, offers low centre of gravity.



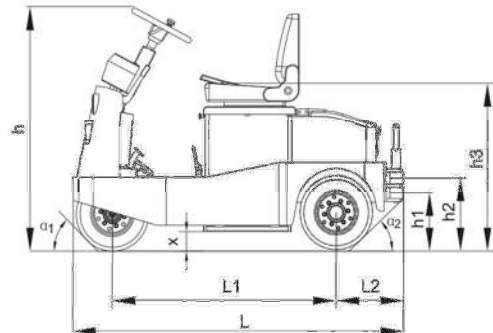
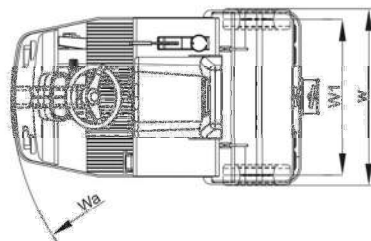
Adjustable steering column with electric F/R lever.



Multi function display

1KG=2.205LB 1INCH=25.40MM

Model		QDD20	QDD30	QDD50	QDD60	QDD100
Drive type		battery	battery	battery	battery	battery
Rated traction weight(60 minutes rated)	kg	2000	3000	5000	6000	10000
Rated traction(60 minutes rated)	N/kg	500/50	750/75	1250/125	1500/150	2500/250
Max. traction(5 minutes rated)	N/kg	2000/200	3000/300	5000/500	6000/600	10000/1000
Drawbar center height	h1/h2(mm)	280/350	280/350	280/350	280/350	320/400
Weight	kg	930	980	1160	1280	1160
Axle loading, front	kg	330	350	410	450	750
Axle loading, rear	kg	600	630	750	830	1440
Tyre number front/rear	X= Driven wheels	1/2X	1/2X	1/2X	1/2X	2/2X
Tyre size, front	solid rubber	15*4½-8	15*4½-8	15*4½-8	15*4½-8	5.00-8-10PR
Tyre size, rear	solid rubber	15*4½-8	15*4½-8	4.00-8	4.00-8	6.50-10-12PR
Rear hanging distance	L2(mm)	350	350	450	450	600
Seat height	h3(mm)	850	850	910	910	1050
Overall length	L (mm)	1720	1720	1940	1940	2485
Overall width	W(mm)	970	970	1100	1100	1160
Overall height	h (mm)	1250	1250	1250	1250	1480
Min. ground height	X (mm)	100	100	100	100	138
Min. turning radius	Wa (mm)	1519	1519	1650	1650	2200
Travel speed, laden	km/h	8	7	8	7	6.5
Travel speed, unladen	km/h	13	13	14	14	12
Battery voltage,nominal capacity K5	V/Ah	48/240	48/270	48/360	48/400	48
Battery weight	kg	350	400	530	610	950
Traction bolt		Traction bolt	Traction bolt	Traction bolt	Traction bolt	Traction bolt



Trailer 4 wheels
Model: DT30/60/100

Technical parameters of trailer

Model		DT30	DT60	DT100
Capacity	Kg	3000	6000	10000
Weight	Kg	350	450	550
Platform height	mm	500	560	560
Outline dimension(L x W x H)	mm	2550x1000x1100	3320x1250x1180	3500x1500x1180
Platform size	mm	1800x1000	2500x1250	2500x1500
Wheel dimension	mm	15x4½-8	16x6x10½	16x6x10½
Drawbar height	mm	200	200	280
Min.ground clearance	mm	170	180	180
Tractor model for choice		QDD20,QDD30	QDD50,QDD60	QDD100

* Cargo loading platform are available in different size as customer special requirements.

Electric Pallet Truck
Hand Pallet Truck
Electric Tow Tractor
Hand Pallet Truck
Electric Stackers
Lift Table

